

SPECIFICATIONS



For Earth, For Life
Kubota

Model		R430		
Type of ROPS / FOPS		CANOPY / CAB		
Engine	Model	D1803-CR-TIE4-WL6		
	Emission certification	Tier 4		
	Output (SAE J1995 gross)	HP (kW)/rpm	47.6 (35.5) / 2600	
	Output (SAE J1349 net)	HP (kW)/rpm	45.2 (33.7) / 2600	
	Displacement	cu.in. (cc)	111 (1826)	
Transmission	Type	Hydrostatic transmission		
Dimensions	Overall length	ft.in. (mm)	14' 4" (4355)	
	Overall height	ft.in. (mm)	8' 3" (2515)	
	Overall width (w/o bucket)	ft.in. (mm)	5' (1520)	
	Ground clearance	in. (mm)	11" (280)	
Auxiliary circuit	Auxiliary hydraulic flow	gpm (ℓ/min.)	11.1 (42.1)	
	Auxiliary hydraulic pressure	psi (Mpa)	2697 (18.6)	
Drive system	Tire size	12.5 / 70-16-8PR		
	Travel speed	Low / High	mph (km/h)	
	Max. traction force	lbs. (kN)	5485 (24.4)	
	Front axle traction lock	Limited slip differential		
	Articulation angle	deg.	40 (each direction)	
	Angle of rear frame oscillation	deg.	±8	
	Loader clearance circle	ft.in. (mm)	12' 1" (3695)	
	Turning radius track circle	ft.in. (mm)	10' 1" (3085)	
	Brakes	Service	Enclosed wet disc	
		Parking	Spring applied hydraulic released wet disc	
Lifting specifications	Tipping load (straight)	w/ bucket (ISO14397-1)	lbs. (kg)	
		w/ pallet forks (ISO14397-1)	lbs. (kg)	
	Tipping load (full turn)	w/ bucket (ISO14397-1)	lbs. (kg)	
		w/ pallet forks (ISO14397-1)	lbs. (kg)	
	Rated operating capacity (50% of tipping load)	w/ bucket (ISO14397-1)	lbs. (kg)	
		w/ pallet forks (ISO14397-1/SAE J1197)	lbs. (kg)	
Operational specifications	Standard bucket capacity	yd ³	0.5	
	Breakout force	lbs. (kN)	5215 (23.2)	
	Lifting capacity at ground level	lbs. (kN)	3687 (16.4)	
	Loader raise / lower time	sec.	4.4 / 3.3	
Fuel tank	gal. (ℓ)	14.3 (54)		
Hydraulic system	gal. (ℓ)	15.3 (58)		
Hydraulic reservoir	gal. (ℓ)	11.1 (42)		
Operating weight (Including operator weight @ 165 lbs.)	lbs. (kg)	7758 (3519) / 8232 (3734)		

R

KUBOTA WHEEL LOADER R430

Versatile and powerful, the R430 is also compact, letting you do jobs in places that bigger wheel loaders can't go.



Kubota Canada Ltd. reserves the right to change the stated specifications without notice. This brochure is for descriptive purposes only and reasonable efforts were used to set forth the contained information; some items shown may be optional and some products shown may not be available at all dealerships. Kubota disclaims all representations and warranties, express or implied, or any liability from the use of this brochure. For complete warranty, safety and product information, consult your local Kubota dealer and the operator's manual. Power (HP/KW) and other specifications are based on various standards or recommended practices. For your safety, Kubota strongly recommends the use of a Rollover Protective Structure (ROPS) and seat belt in almost all applications. This brochure is intended for Canada only. For information regarding Kubota products or services outside these areas, see Kubota Corporation's global web site. Kubota does not provide parts, warranty or service for any Product which is re-sold or retailed in any country other than the country for which the Product(s) were designed or manufactured.



KUBOTA CANADA LTD.

Head Office:
1155 Kubota Drive, Pickering, Ontario L1X 0H4, Canada
TEL: (905) 294-7477

Visit our web site at: www.kubota.ca

©2023 Kubota Corporation



**Kubota
Genuine Parts**
for maximum
performance,
durability and
safety



SUPERIOR PERFORMANCE

Impressive power, excellent versatility, and a compact frame add up to superior performance for a wide range of jobs.

Powerful engine

The new R430's powerful engine produces 47.6 horsepower, a remarkable 20% increase over the R420's 39.2 horsepower. You'll appreciate that extra muscle when accelerating, pushing, and climbing hills.

Versatility

The R430's compact body lets you get into tight places that bigger loaders can't. The compact size also means less risk of damage to both surroundings and the R430 itself. The R430 can even be used with a variety of attachments, including a bucket, pallet fork, grapple, and snow blade. With an R430 on the job, you'll soon make short work of a wide range of construction, industrial, and agricultural tasks.

Limited slip differential

Mud, sand, snow, and other challenging terrain are no problem at all for the R430, thanks to its 4-wheel drive and limited slip differential. When one front wheel slips on loose or soft terrain, power is transferred to the opposite wheel, restoring traction to let you power through to firm ground.

Outstanding stability

The R430's long wheelbase provides outstanding stability, letting you work with ease and confidence under a variety of terrain conditions.

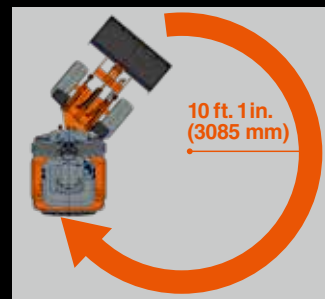
Tipping load

lbs. (kg)	Canopy	Cab
With bucket	4596 (2085)	4949 (2245)
With pallet forks	3009 (1365)	3251 (1475)

* Full turn (ISO14397-1)

Turning radius track circle

Excellent turning performance lets you work easily and confidently even in tight or narrow work areas.



Working range

With the R430's long dumping reach and high dumping clearance, all types of dumping jobs are now literally within reach, from quickly dumping into truck beds to efficiently performing pallet fork operations.

Load sensing transmission

As load conditions change, so do the R430's speed and torque, automatically shifting from high speed/low torque to low speed/high torque. A touch of a button reduces the maximum travel speed while maintaining full auxiliary hydraulic power.



Rear backhoe kit (Option)

Kubota's rugged rear backhoe attachment expands the R430's versatility. With a digging depth of 7 ft. (2750 mm), this rear backhoe is ideal for compact trenching tasks.

COMFORTABLE WORK STATION

Small in size, the R430 is big in comfort, offering a deluxe cab with air conditioning and heater to keep you working comfortably and efficiently all day long in every season.

Stress-free work station

Comfort is the key to operator efficiency. That's why the R430 offers a supremely comfortable cab for the operator. From the wide entry and ample leg room to the fully adjustable suspension seat, every detail is designed to reduce stress and fatigue and enhance comfort and operability. The 360° view out the front, sides, and rear lessen the risk of damage in tight work areas, further reducing operator stress. The cab is mounted on rubber pads to minimize sounds and vibrations and maximize ease and comfort.

Air conditioning (Standard for cab models)

A complete climate control system with air conditioner/heater and vent system for optimized airflow ensure ideal operator comfort throughout the year.



- A** Cup holder
- B** Seat belt
- C** Parking switch
- D** Loader control lever
- E** AUX control lever
- F** FNR lever

Modern digital display

Familiar Kubota styling of the digital display is bright and easy to read like the other models in the compact wheel loader line. Machine functions and diagnostic indicators monitor the machine, freeing you to focus on the task at hand.

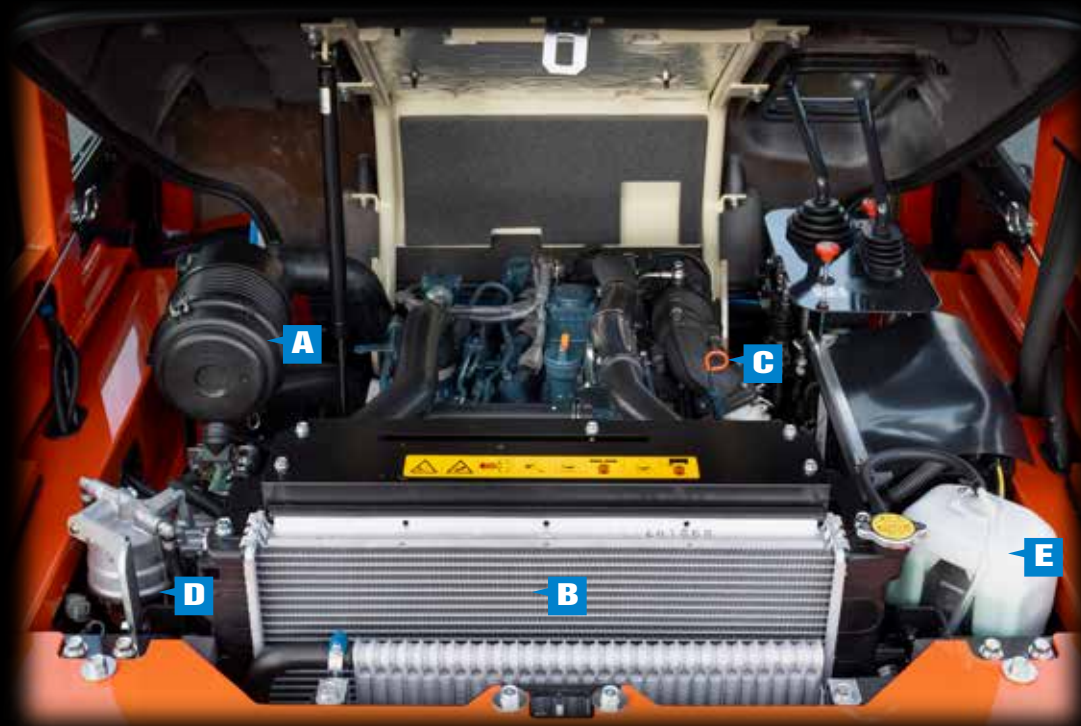


Suspension seat

Operators come in all sizes and shapes. That's why the R430 is equipped with a suspension seat that lets each operator find the optimum level of hip support, seat-back reclining angle, and seat position. Safety is always important, so the seat is equipped with a retractable seat belt.

MAINTENANCE

Quick and easy access to key maintenance points keeps your R430's working longer in the field.



- A** Dual element air cleaner
- B** Radiator
- C** Oil dipstick
- D** Water separator
- E** Reserve tank

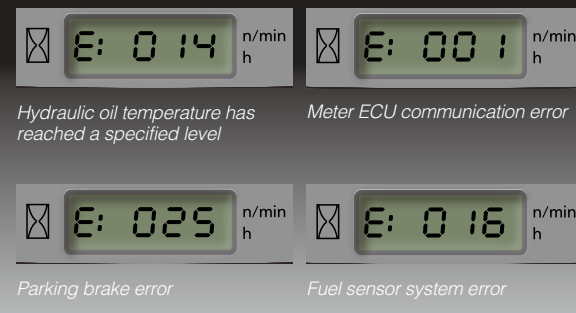
Easy maintenance

The R430 provides quick and convenient access to all key maintenance points, reducing downtime and maintenance costs. The engine bonnet at the rear opens wide to provide access to all the main service areas.

Digital meter

The easy-to-read digital meter displays the R430's operating status. Error messages inform the operator of problems, allowing for fast and appropriate maintenance.

• Error display



Fuel level indication buzzer

When refueling, a buzzer sounds to prevent overfilling and the potential hazards from fuel spills.

Tie down points

Tie-down points at various places on the R430 help ensure safe and secure transportation between work sites.

LED (Optional)

Bright work lights allow operations at night and in poor lighting.

Safety starting system

A safety start system eliminates engine starting mishaps, preventing the engine from starting until the electric shuttle shift and AUX lever are in neutral and the parking brake is set.

Automatic parking brake

When the engine is turned off, the parking brake automatically engages as a convenience to prevent the R430 from moving.

R430 OPTIONS

STANDARD EQUIPMENT

Safety

- 4 tie down points (front and rear)
- Parking brake
- Safety starting system
- Lift arm support
- Towing pin
- Articulate lock
- Kubota original anti-theft system

Working equipment

- 2 Head lights (headlights and signal lights)
- Rear combination light (turn signal, tail light, brake light)
- Backup alarm

Operator's comfort

- Weight adjustable suspension seat

- Retractable seatbelt
- Digital panel with diagnostic function
- ROPS (Roll-over Protective Structure, ISO3471)
- FOPS (Falling Object Protective Structure, ISO3449)
- Side mirror
- 12V power outlet
- Cup holder

Engine/Fuel system

- Kubota original engine with DOC
- Double-element air cleaner
- Fuel level indication buzzer
- Water separator
- Fuel filter
- Dust indicator

Travel system

- Two travel speeds

- Travel speed limiter switch on loader lever
- Limited slip differential (front)
- Wet type disc brake
- Spring applied hydraulic released wet disc (parking brake)
- 12.5/70-16-8PR (tire)

Hydraulic system

- Hydrostatic transmission
- Inching and brake pedal
- Auxiliary hydraulic circuit
- Auxiliary hydraulic circuit operating lever
- Loader arm float function
- Hydraulic lever lock

Others

- Maintenance free battery
- Radio ready (cab only)
- Grease gun holder

OPTIONAL EQUIPMENT

- Cab with air conditioning
- Beacon light
- Rear working light
- LED working light (front)
- Air filter pre-cleaner
- Mechanical quick coupler
- Hydraulic quick coupler
- AM/FM radio
- Bucket auto leveling kit
- Rear backhoe

WORKING RANGE

DIMENSIONS

Label	Description	ft.in. (mm)	ft. (mm)
A	Overall height	ft.in. (mm)	8' 3" (2515)
B	Overall width (w/o bucket)	ft.in. (mm)	4' 12" (1520)
C	Ground clearance	in. (mm)	11" (280)
D	Wheelbase	ft.in. (mm)	5' 10" (1775)
E	Tread	ft.in. (mm)	3' 10" (1180)
F	Loader clearance circle (w/ std bkt)	ft.in. (mm)	12' 1" (3695)
G	Turning radius track circle	ft.in. (mm)	10' 1" (3085)

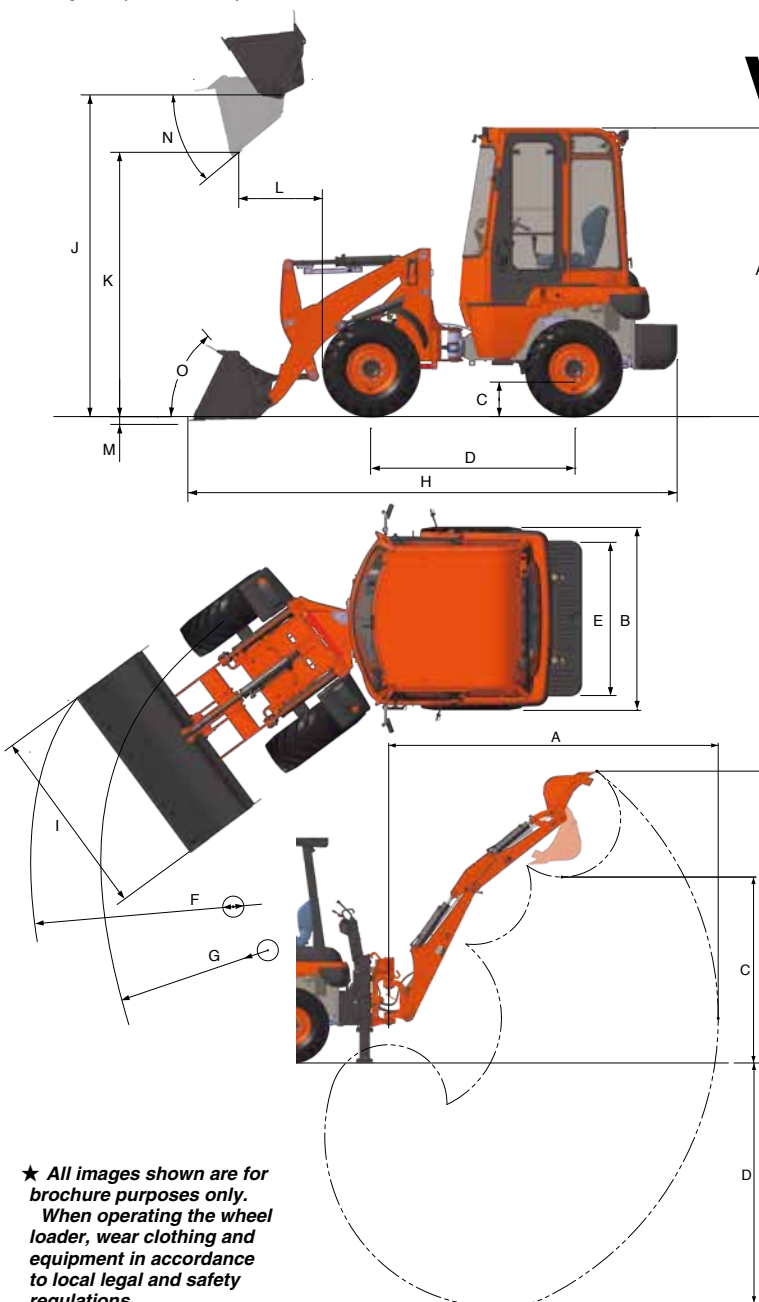
BUCKET SPECIFICATIONS

Label	Description	ft.in. (mm)	ft. (mm)
H	Overall length	ft.in. (mm)	14' 3" (4355)
I	Bucket width	ft.in. (mm)	5' 2" (1580)
J	Height to hinge pin	ft.in. (mm)	9' 2" (2805)
K	Dump clearance	ft.in. (mm)	7' 2" (2185)
L	Reach fully raised	ft.in. (mm)	2' 9" (845)
M	Digging depth	in. (mm)	2" (45)
N	Dump angle fully raised	deg.	44
O	Rollback at traveling position	deg.	48

BACKHOE SPECIFICATIONS

Label	Description	ft. in. (mm)	ft. (mm)
A	Reach from centerline of swing pivot	ft. in. (mm)	12' 2" (3700)
B	Overall operating height	ft. in. (mm)	10' 7" (3220)
C	Loading height	ft. in. (mm)	6' 8" (2040)
D	Digging depth (2" flat bottom)	ft. in. (mm)	8' 11" (2725)
E	Digging depth (maximum)	ft. in. (mm)	9' (2750)
-	Side shift (each way)	ft. in. (mm)	1' 7" (495)
-	Digging force bucket	lbs. (kg)	4100 (1860)
-	Digging force arm cylinder	lbs. (kg)	2755 (1250)

Note: The above dimensions are based on the machine with std. tires, skid steer type quick coupler, standard bucket or standard pallet fork and ROPS/FOPS canopy and cabin.



★ All images shown are for brochure purposes only. When operating the wheel loader, wear clothing and equipment in accordance to local legal and safety regulations.